

Features :

Independent external power amplifier for better signals

Input voltage: 5-6V

Operation Current: 310mA@5.5V@25mW
350mA@5.5V@100mW

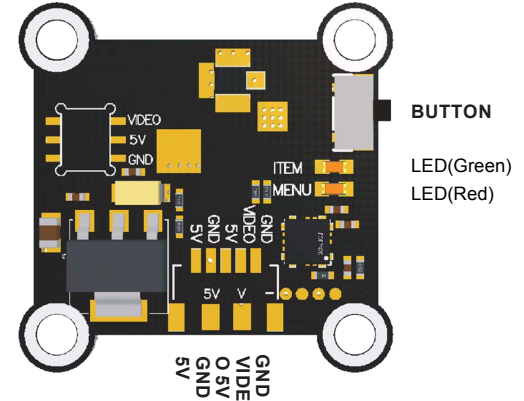
Frequency range: 5.8G 40CH 5645-5945MHz

Dimensions: 17x22 mm

Weight: 2.5g

Frequency table :

CH FR	CH1	CH2	CH3	CH4	CH5	CH6	CH7	CH8
A	5645	5665	5685	5705	5885	5905	5925	5945
B	5740	5760	5780	5800	5820	5840	5860	5880
C	5725	5745	5765	5785	5805	5825	5845	5865
D	5733	5752	5771	5790	5809	5828	5847	5866
E	5658	5695	5732	5769	5806	5843	5880	5917



Manual :

